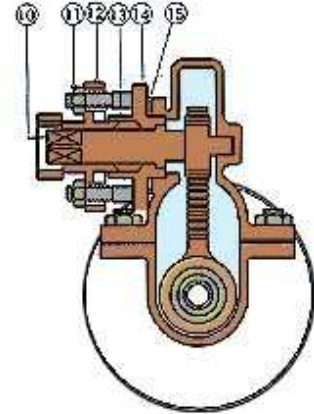
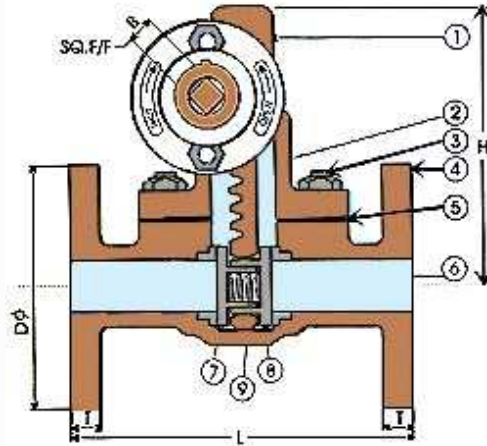


## BRONZE PARALLEL SLIDE BLOW OFF VALVE

Bolted Bonnet, Rack & Pinion Operated, Straight Through Passage, Full Lift in just half turn, box Key locked to prevent its removal when the valve is open, Flanged ends BS:10 Table-H, suitable for steam lines. **IBR CERTIFIED**



MM-434

### Test Pressure :

Steam Working Pressure : 250 psig

Max. Permissible Temp. : 220°C – 225°C

Hydraulic Test Pressure : 500 psig

### MATERIALS

PART NO.	NAME OF PART	MATERIAL	SPECIFICATIONS
1.	BONNET	Bronze	IBR 282(a)(iv)GR.B
2.	RACK	Bronze	IBR 282(a)(iv)GR.B
3.	STUDS & NUTS	Carbon Steel	
4.	BODY	Bronze	IBR 282 (a)(iv)GR.B
5.	GASKET	Non Asbestos	
6.	BODY SEAT RING	Stainless Steel	AISI-410
7.	MALE DISC	Stainless Steel	AISI-410
8.	FEMALE DISC	Stainless Steel	AISI-410
9.	SPRING	Spring Steel	IBR-307
10.	PINION	Bronze	IBR 282 (a)(iv)GR.B
11.	STUDS & NUTS	Carbon Steel	
12.	GLAND	Bronze	IBR 282 (a)(iv)GR.B
13.	PACKING	Graphited	
14.	STUFFING BOX	Bronze	IBR 282 (a)(iv)GR.B
15.	GASKET	Non Asbestos	

### DIMENSIONS IN MM

NOMINAL SIZE		L	D	T	B	H
Inch	MM					
1	25	169	121	14	16	139
1 1/4	32	178	133.5	18	16	158
1 1/2	40	190	140	18	22	204
2	50	206	165	20	22	226